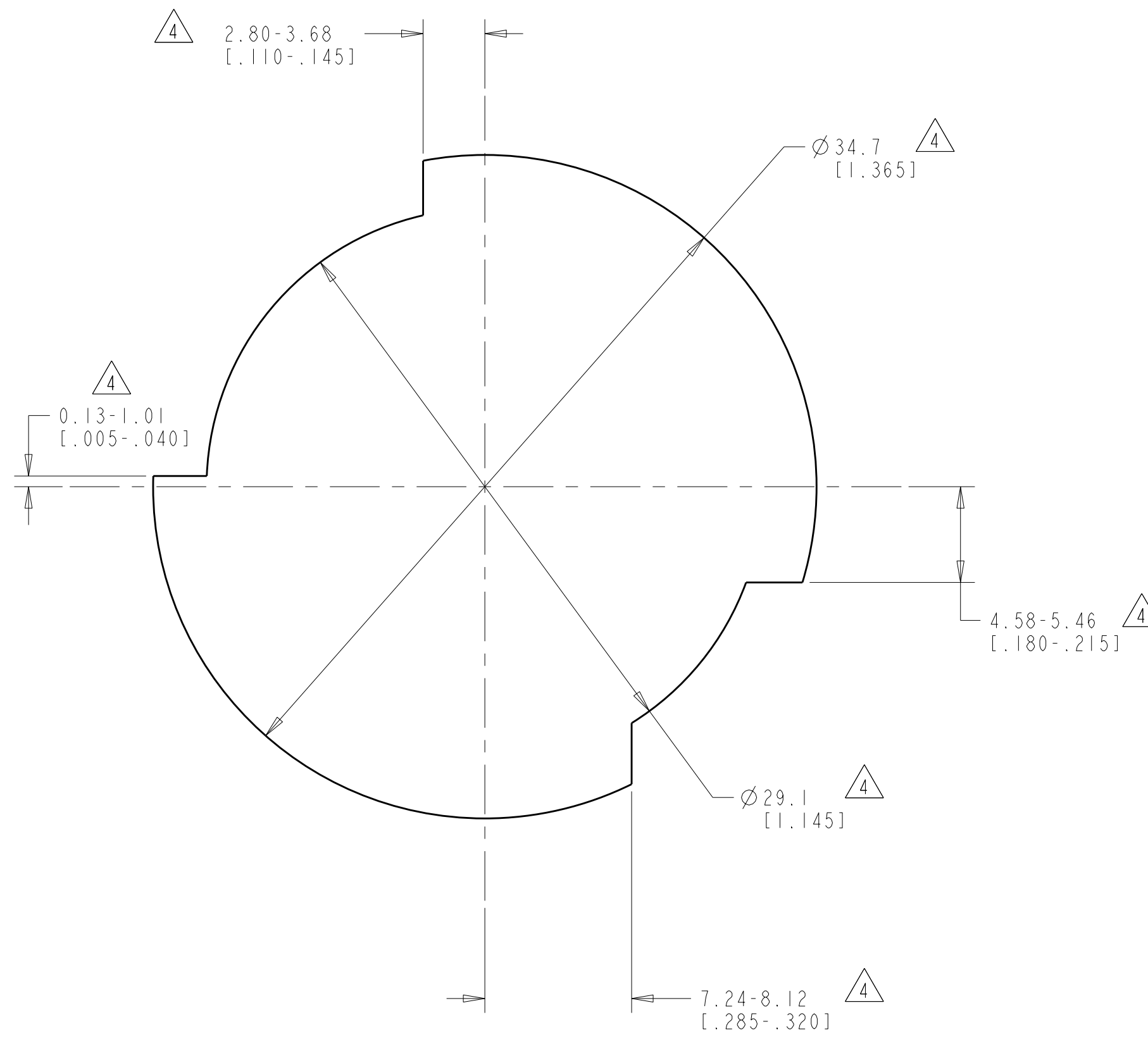
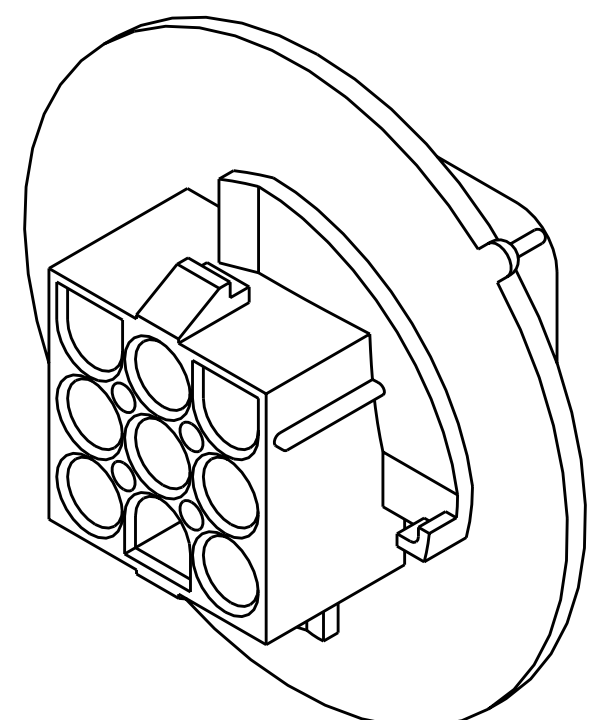
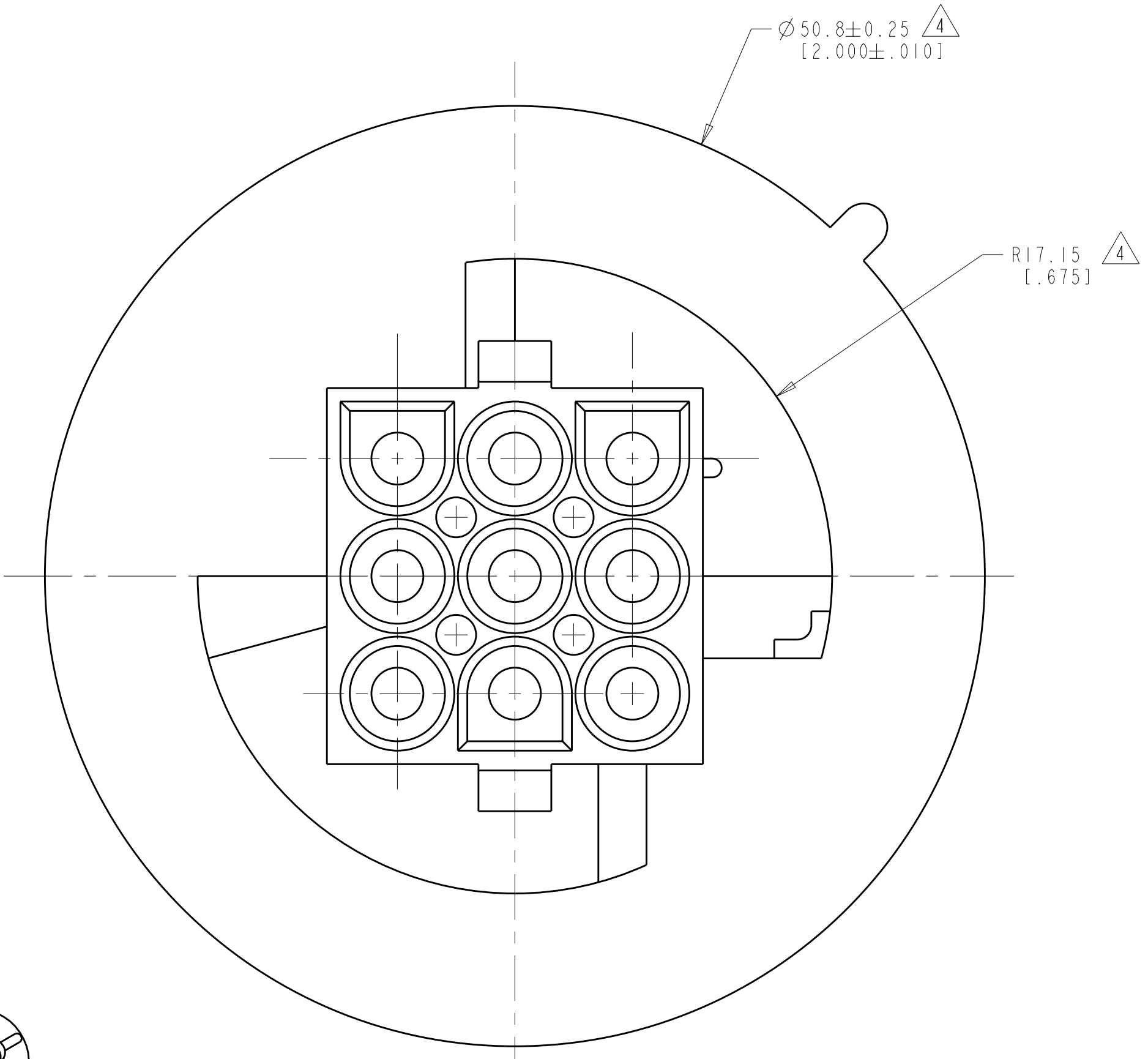


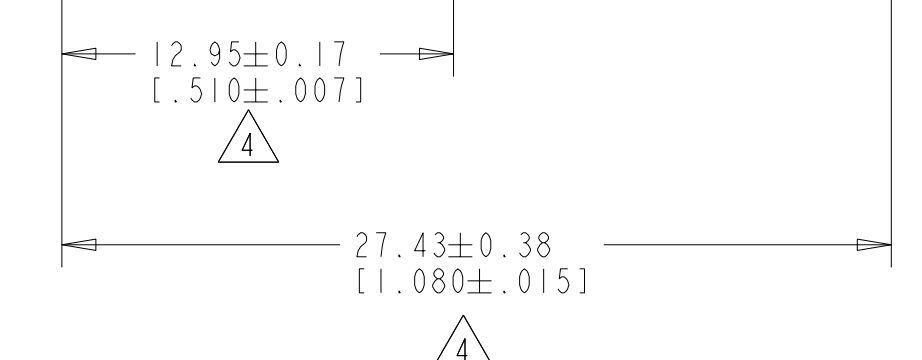
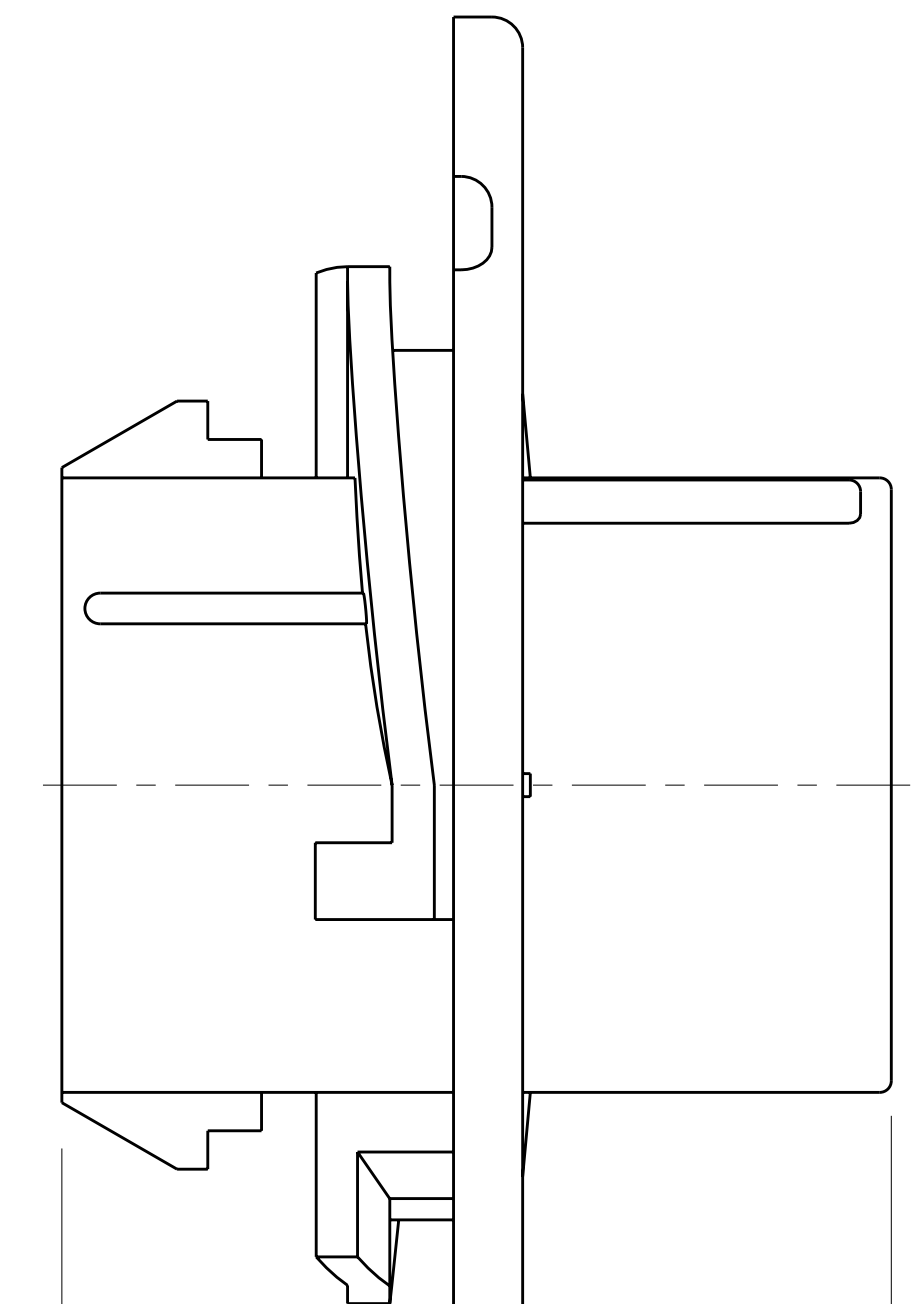
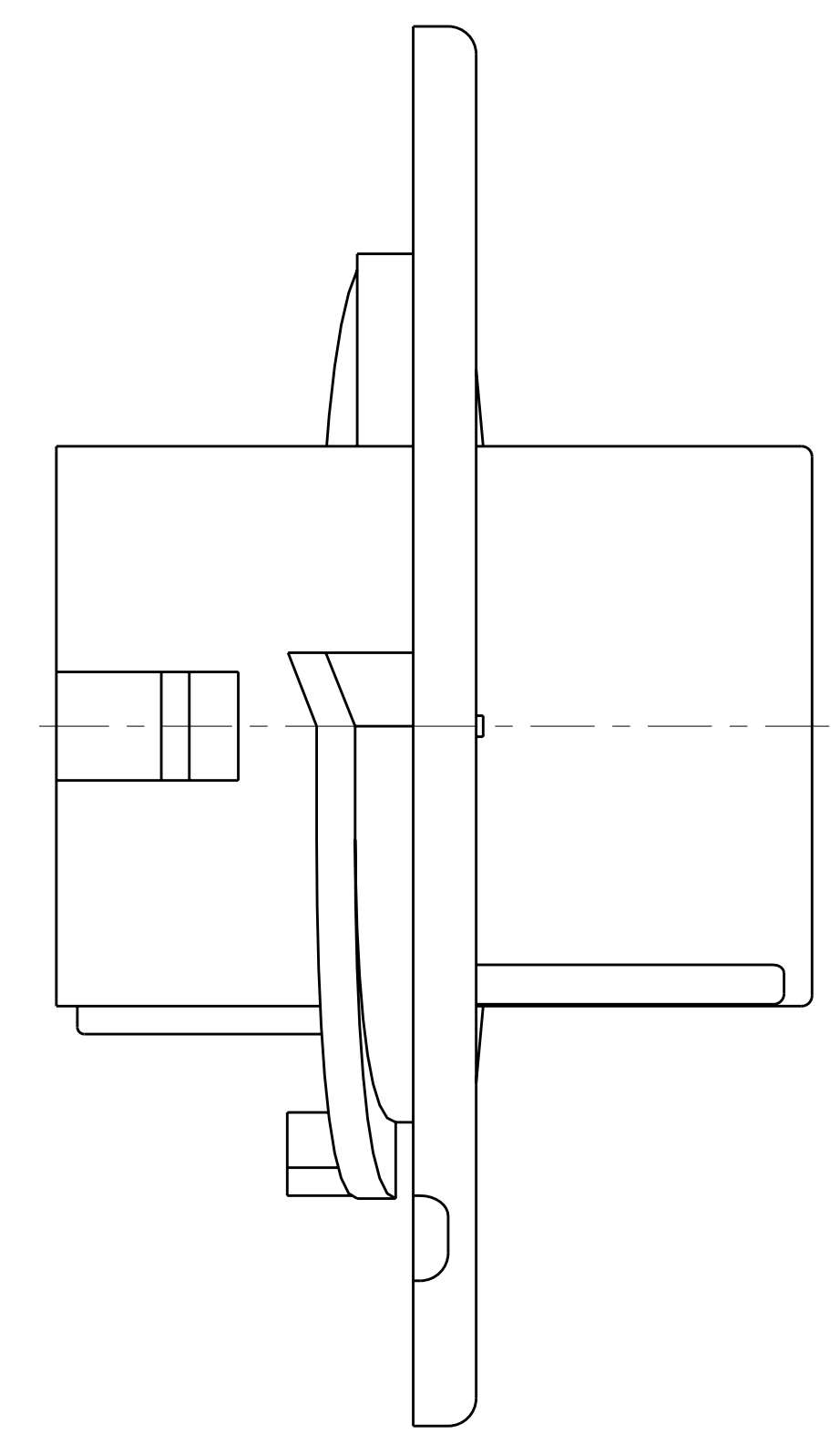
LOC	DIST	REV	DATE	BY	CHK	APPV	DESCRIPTION
CM	00						
		K	13OCT2006	KW	SR		REVISED PER ECO-06-023424
		K1	18OCT2006	KW	SR		REVISED PER ECO-06-024553
		K2	15DEC2006	KW	SR		REVISED PER ECO-06-028575



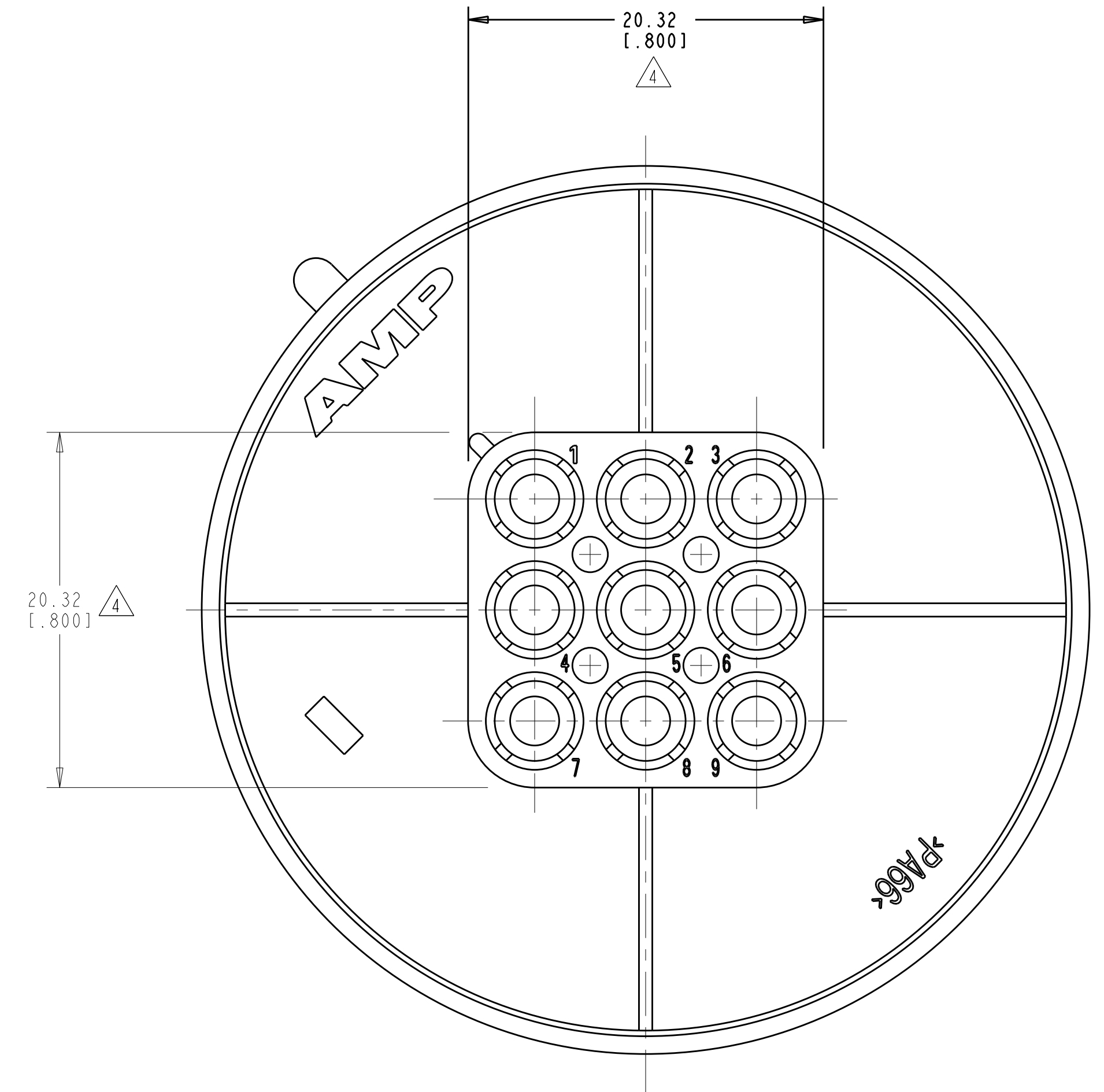
RECOMMENDED CUT OUT



3-DIMENSIONAL MODEL
SCALE 2:1



- MATES WITH APPROPRIATE UNIVERSAL MATE-N-LOK™ PLUG.
 - RECOMMENDED PANEL THICKNESS 0.76 - 2.29 [.030 - .090].
 - PANEL MUST BE PUNCHED SO THAT THE HOUSING ENTERS THE PANEL IN THE SAME DIRECTION AS THE PUNCH.
- △ DIMENSIONS INDICATED ARE REFERENCE. ADDITIONAL GROWTH DUE TO SUBSEQUENT MOISTURE ABSORPTION MAY OCCUR.



COLOR	PART NUMBER
BLACK	1-794715-9
GRAY	1-794715-8
BLUE	1-794715-6
GREEN	1-794715-5
YELLOW	1-794715-4
ORANGE	1-794715-3
RED	1-794715-2
BROWN	1-794715-1
NATURAL	794715-1

DIMENSIONS: mm [INCHES]		TOLERANCES UNLESS OTHERWISE SPECIFIED: 9 PLC ± 1 PLC ± 3 PLC ±0.13(.005) 5 PLC ± 4 PLC ± ANGLES ±		DWN: M. TRULL 06-OCT-1999 CHK: M. TRULL 06-OCT-1999 APPV: M. TRULL 06-OCT-1999		tyco Electronics AMP Incorporated Harrisburg, PA 17105-3608	
MATERIAL: NYLON UL 94V-2, NATURAL		FINISH:		PRODUCT SPEC: APPLICATION SPEC: WEIGHT:		NAME: CAP. 9 CIRCUIT, UNIVERSAL MATE-N-LOK(TM), SPECIAL	
CUSTOMER DRAWING				SCALE: 4:1		SHEET 1 OF 1 REV: K2	

